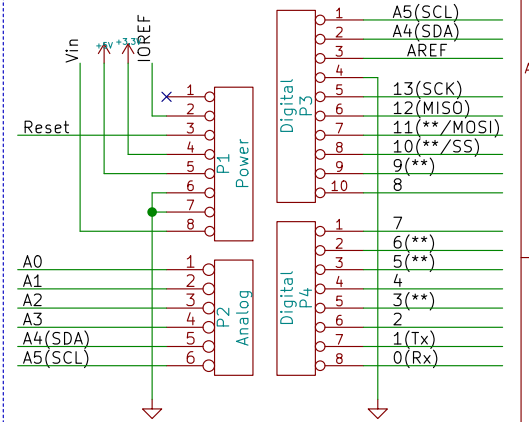


Shield for Arduino that uses the same pin disposition like "Uno" board Rev 3.



Sheet: /
File: TAHewriter_b.sch

Title:

Size: A4 Date: lun. 30 mars 2015
KiCad E.D.A. kicad 4.0.2-stable

Rev:
Id: 1/1